

## PARTS

NOTE: VersaHaul is attached with your standard Hitch Pin (not included).

	(1) Main Tray VH019		(1) 30" x 5" Rail - Right VH045B		(4) Main Tray Bolt 3/8" x 1/2"		(10) 5/16" Nut for Carriage Bolts VH223
	(1) Ramp - Right VH045D		(1) 30" x 5" Ramp - Left VH045C		(2) 1/2" Bolt 1/2" x 1"		(2) 1/2" Washer for 1/2" Bolts VH245
	(1) Anti-Tilt Lock Bracket VH070		(1) 30" x 5" Rail - Left VH045A		(2) Long Carriage Bolt 5/16" x 2"		(2) 1/2" Nut for 1/2" Bolts VH242
	(1) Lynchpin VH201		(2) Short Carriage Bolt 5/16" x 3/4"		(1) Alternative Lock Bracket Assembly VH073 Includes: • (1) 7/16" x 2 3/4" Bolt VH235 • (1) 7/16" Lock Nut VH236 • (1) 7/16" Washer VH237		
	(1) Wheel Stop VH053		(10) 5/16" Washer for Carriage Bolts VH225				
	(1) Class II Stinger Tube VH029C2		(10) 5/16" Lock Washer for Carriage Bolts VH222				
	(1) Class III Stinger Tube VH029C3						

## TOOLS



## WARNING

1. Read all instructions for future reference.
2. Follow all warnings and instructions marked on the product.
3. Do not stand on the VersaHaul.
4. Do not ride any vehicle while loading onto the VersaHaul.
5. Always store the VersaHaul in a safe place.
6. Improper use, storage or installation of ramp could result in death or serious injury.
7. Never exceed vehicle tongue weight ratings.
8. The VH-50cc carrier may be used with Class 2, 3 or 4 hitch. Most Class 3 hitches limit the VersaHaul to 500 lbs. total hauling capacity, while most Class 2 hitches limit it to 300 lbs.
9. Do not put any VersaHaul on a 5th wheel trailer or any other kind of trailer.
10. **VH-50cc carrying capacity is limited to 250 lbs. max. Your vehicle suspension and hitch may limit the hauling capacity of the carrier.** For more information on vehicles and hauling capacities, visit [www.versahaul.com](http://www.versahaul.com).

## LIMITED WARRANTY

The Limited Warranty on the VersaHaul Carrier.

BNK, INC warrants the carrier and related components. This warranty applies to any part found to be defective due to material and/or workmanship when inspected at the factory of BNK, Inc., Winamac, IN. BNK Inc. will, at its option, repair or replace defective parts to the original purchaser at no charge other than transportation. Sale receipt as proof of date of purchase is required, which will be returned. BNK, Inc. assumes no liability for labor charges made in performance of this warranty.

The warranty periods are as follows from date of purchase:

**CARRIER FOR 1 YEAR, VOID IF:** frame is broken or bent due to abuse. example: (underside scraped abusively)

**ALL WARRANTIES ARE VOID IF:** the carrier has been rented, used under abnormal conditions, or subjected to abuse, misuse, neglect, or improper maintenance.

All warranties should be handled at point of purchase unless other arrangements are made.

BNK, Inc. is not liable for any damage claim or liability claim, personal or otherwise resulting from operation of this carrier in any way. All transportation charges for items returned for warranty evaluation and/or replacement are to be borne by the customer.

For one (1) year from the date of purchase, BNK, Inc. will repair or replace for the original purchaser, without charge, any part or parts are manufactured by BNK, Inc. and found, upon examination at our factory in Winamac, to be defective in materials and/or workmanship.

All transportation charges on parts submitted for replacement under this warranty must be borne by the purchaser. This warranty does not apply to parts not manufactured by BNK, Inc. Their manufacturer may warrant these items. This warranty does not apply to any part which has been damaged by accident, alteration, abuse, improper adjustment, normal wear, or any other cause beyond our control.

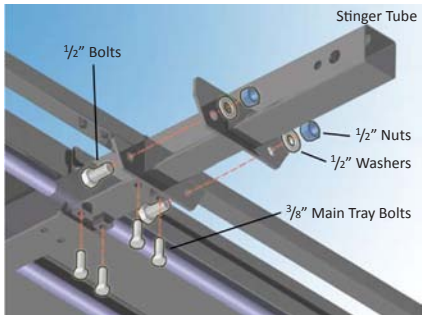
Use of replacement parts other than genuine BNK, Inc. parts may impair the safety of your machine and void this warranty.

## IMPORTANT

THIS WARRANTY IS VOID UNLESS THE PRODUCT REGISTRATION CARD IS FILLED OUT COMPLETELY AND RETURNED TO THE FACTORY AT WINAMAC, IN. WITHIN TEN (10) DAYS OF PURCHASE.

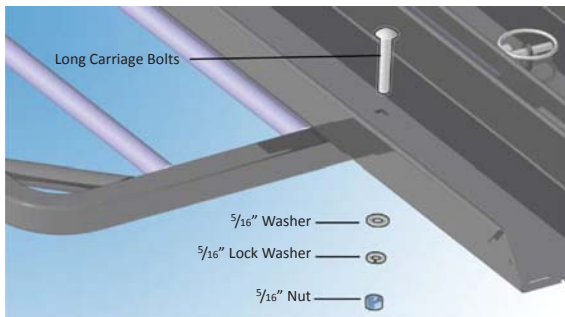
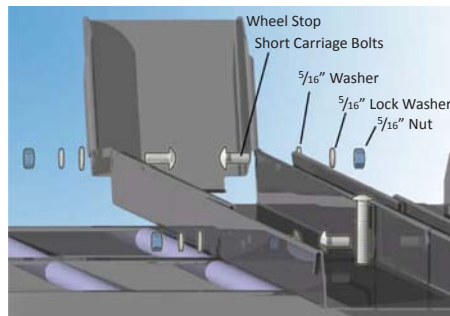
**OUR WARRANTY COVERS OUR PRODUCT FOR ONE YEAR. WE ARE NOT ABLE TO EXCHANGE USED VERSAHAUL CARRIERS FOR REFUNDS OR NEW CARRIERS.**

### ASSEMBLING YOUR VERSAHAUL



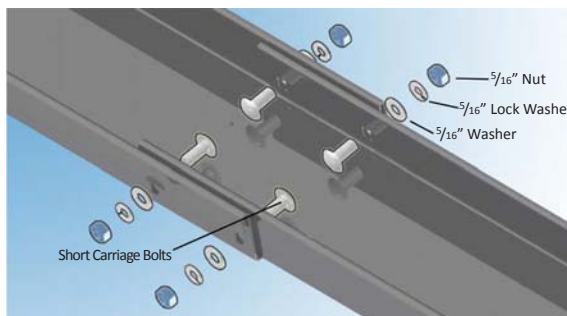
**Step 1**  
Insert the appropriate Class II or Class III Stinger Tube and secure it using the 1/2" Bolts with Washers and Nuts. Then fasten the 3/8" Main Tray Bolts securely under the Main Tray.

**Step 2**  
Secure the Wheel Stop onto the Rail-Left using the Short Carriage Bolts. Next insert the Washer then the Lock Washer before bolting the Nut. Secure the Rail-Right onto the Rail-Left using the Short Carriage Bolts.



**Step 3**  
Using the Long Carriage Bolts, Secure the Assembled Rail onto the Main Tray by bolting the left and right side of the Main Tray. Insert the Washer, then the Lock Washer before bolting the Nut.

**Step 4**  
Using the Short Carriage Bolts, bolt the Ramp-Left and Ramp-Right together. Insert the Washer, then the Lock Washer before bolting the Nut.



Assembled VH-50cc Carrier



VH-50cc Carrier in Use

### ATTACHING YOUR VERSAHAUL



**Step 1**  
Mount the three 3/8" bolts to the included Anti-Tilt Lock Bracket. Insert bracket to the main tube as shown.



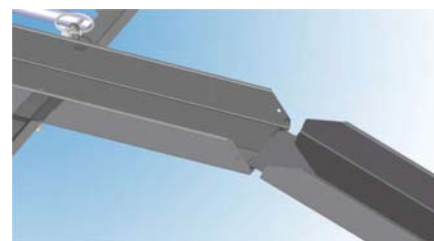
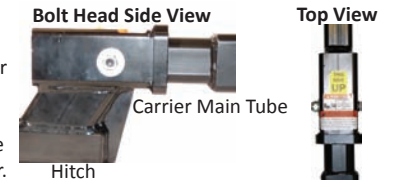
**Step 2**  
Insert main tube into vehicle's receiver hitch and install hitch pin (not included).



**Step 3**  
Put the bracket flush against the hitch collar. Tighten the center bolt until it fits snugly against the receiver hitch underside. Tighten the two side bolts; then re-tighten the center bolt. Make sure all bolts are tight enough such that no slack exists between the main tube and the hitch. **Note:** Road vibration may cause bolts to loosen over time. Test by rocking the carrier from the sides. Minor deformation is normal on the contact area between the main tube and the anti-tilt bracket.

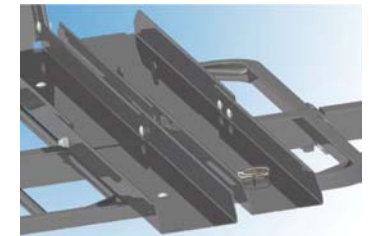
#### Alternative Instructions

If the Anti-Tilt Lock Bracket does not fit, use the Anti-Tilt Hitch Attachment Bolt. The Anti-Tilt Hitch Attachment Bolt has a 7/16" thread size, a 3/8" Allen Head size, and a 5/8" outer head size. Slide the Main Tube of the carrier into the hitch receiver. Secure the Main Tube to the receiver with the Anti-Tilt Bolt, Washer and Nut. The Bolt must be inserted into the 7/16" hole, not the 5/8" hole. **Note:** Do not put a washer at the bolt head, but rather at the nut. The bolt head should be recessed into the receiver hole and be putting pressure on the Main Tube of the Carrier inside the receiver.



Hook the Assembled Ramp onto the Rail-Right on the Main Tray.

### LOADING YOUR VERSAHAUL



When not in use, secure the Assembled Ramp onto the Main Tray's hooks and lock to the Ramp using the Lynchpin.

#### NOTE: WHEN ATTACHING STRAPS TO THE MAIN TRAY

When attaching the tie down straps, securely hook the straps from the center of the handlebars to the diagonal bars on the corners of the Main Tray. Be sure to evenly tighten the straps on both sides of the scooter. Do not hook the straps to the ends of the handlebars. Improper placement of the straps will lead to the scooter tipping.